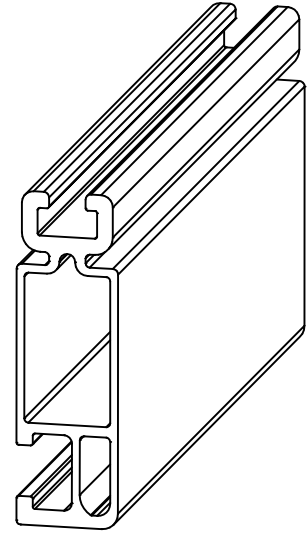


$\frac{1}{4}$ " BOLT LOCATION



$2 \frac{9}{16}$ "

$\frac{3}{4}$ " BOLT LOCATION

$\frac{3}{4}$ "



1411 BROADWAY BLVD NE
ALBUQUERQUE, NM 87102 USA

WWW.UNIRAC.COM

PRODUCT LINE: SOLARMOUNT

DRAWING TYPE: PART DETAIL

DESCRIPTION: RAIL

REVISION DATE: APRIL 2016

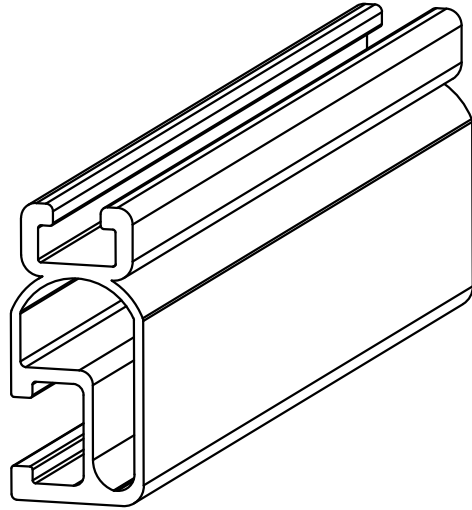
DRAWING NOT TO SCALE
ALL DIMENSIONS ARE NOMINAL

PRODUCT PROTECTED BY ONE
OR MORE US PATENTS.

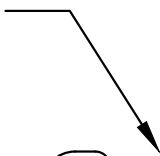
LEGAL NOTICE

SM-P01

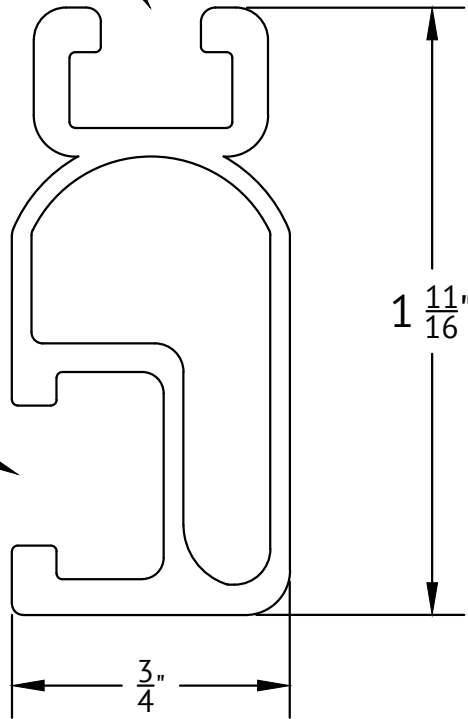
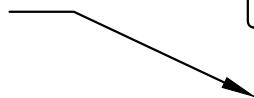
SHEET



1/4" BOLT LOCATION



3/8" BOLT LOCATION



1411 BROADWAY BLVD NE
ALBUQUERQUE, NM 87102 USA

WWW.UNIRAC.COM

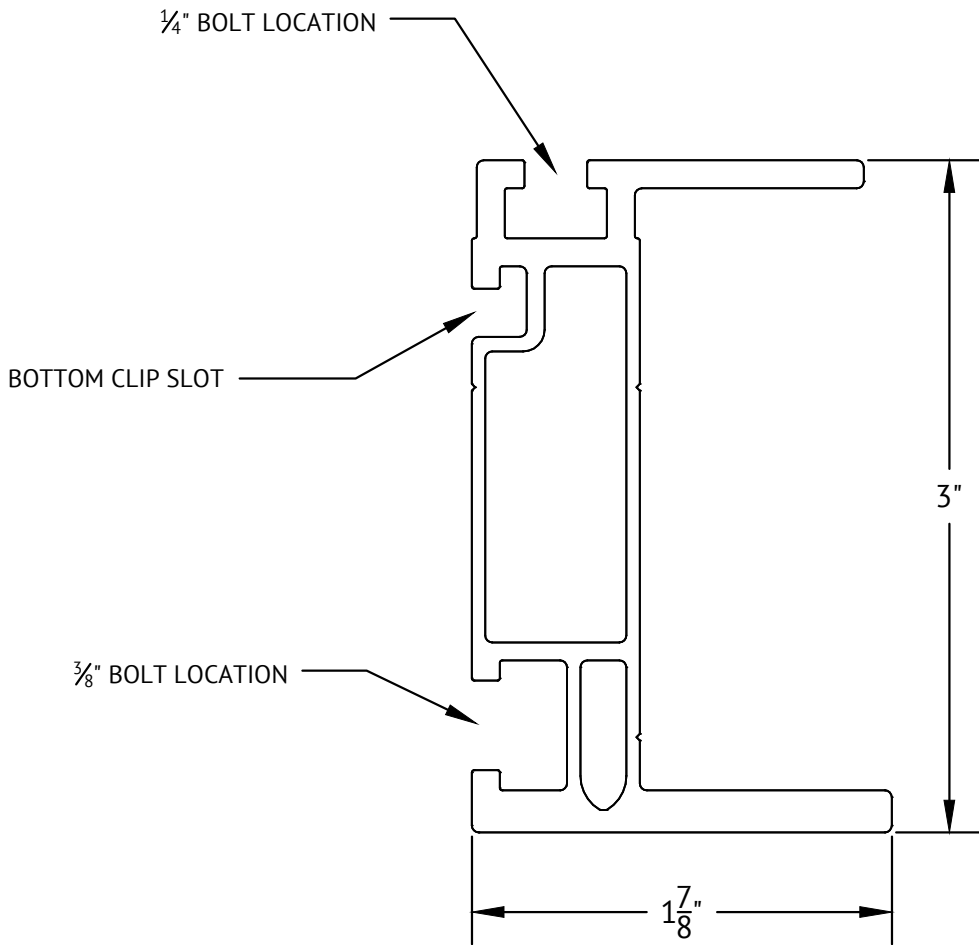
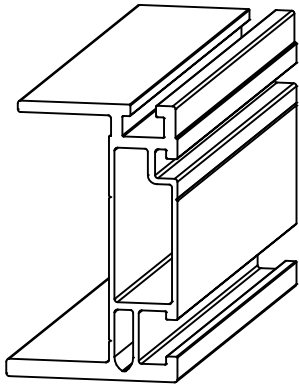
PRODUCT LINE:	SOLARMOUNT
DRAWING TYPE:	PART DETAIL
DESCRIPTION:	LIGHT RAIL
REVISION DATE:	APRIL 2016

DRAWING NOT TO SCALE
ALL DIMENSIONS ARE NOMINAL

PRODUCT PROTECTED BY ONE
OR MORE US PATENTS

LEGAL NOTICE

SM-P02
SHEET



1411 BROADWAY BLVD NE
ALBUQUERQUE, NM 87102 USA

WWW.UNIRAC.COM

PRODUCT LINE: SOLARMOUNT

DRAWING TYPE: PART DETAIL

DESCRIPTION: HD RAIL

REVISION DATE: APRIL 2016

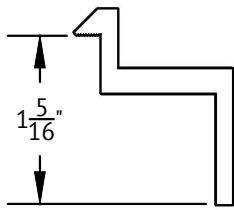
DRAWING NOT TO SCALE
ALL DIMENSIONS ARE NOMINAL

PRODUCT PROTECTED BY ONE
OR MORE US PATENTS

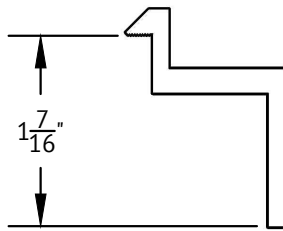
LEGAL NOTICE

SM-P03

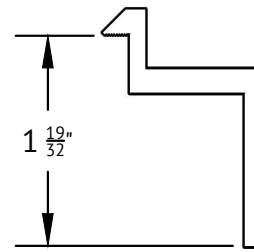
SHEET



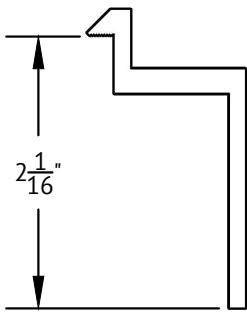
B CLAMP
30mm to 32mm Module Thickness
(1.18" to 1.26")



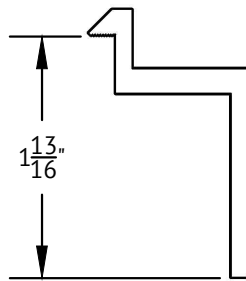
C CLAMP
33mm to 36mm Module Thickness
(1.30" to 1.42")



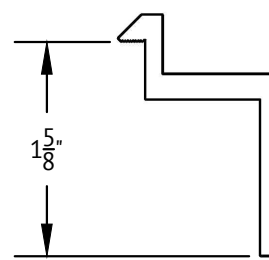
D CLAMP
38mm to 40mm Module Thickness
(1.50" to 1.57")



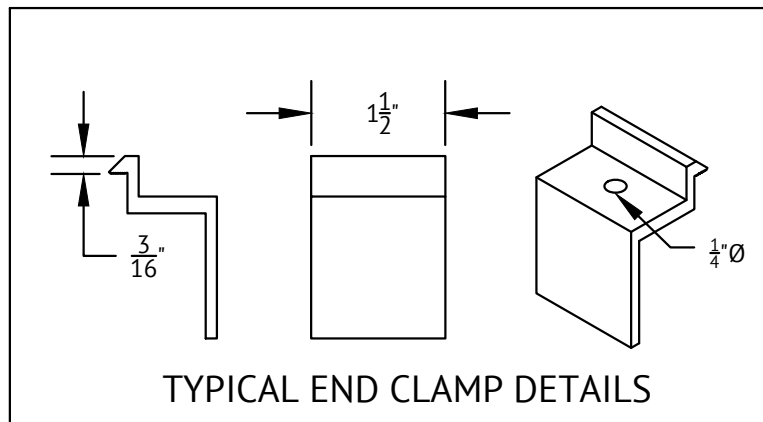
E CLAMP
50mm to 52mm Module Thickness
(1.97" to 2.05")



F CLAMP
45mm to 47mm Module Thickness
(1.77" to 1.85")



K CLAMP
39mm to 41mm Module Thickness
(1.54" to 1.61")



TYPICAL END CLAMP DETAILS



1411 BROADWAY BLVD NE
ALBUQUERQUE, NM 87102 USA

WWW.UNIRAC.COM

PRODUCT LINE: SOLARMOUNT

DRAWING TYPE: PART

DESCRIPTION: END CLAMPS

REVISION DATE: APRIL 2016

DRAWING NOT TO SCALE
ALL DIMENSIONS ARE NOMINAL

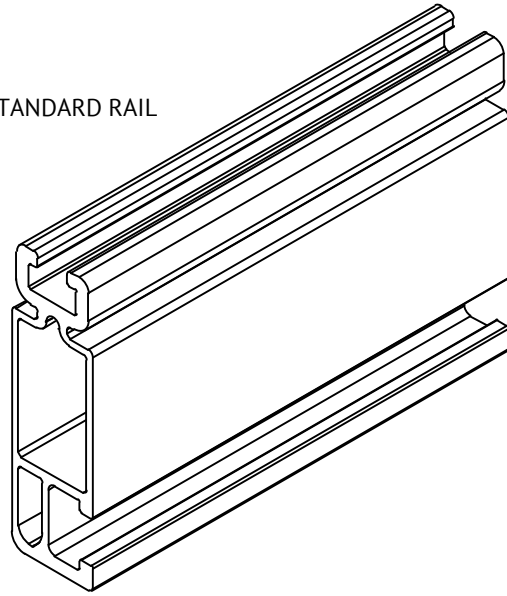
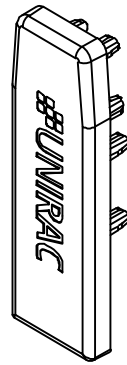
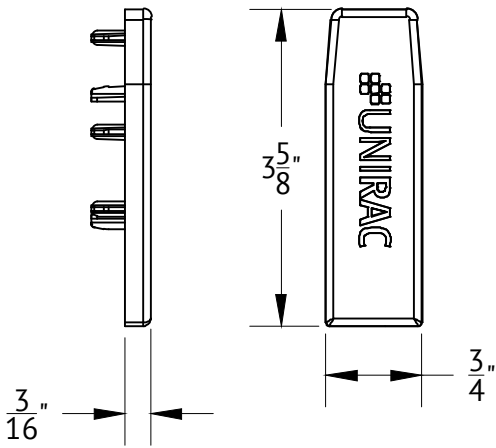
PRODUCT PROTECTED BY ONE
OR MORE US PATENTS

LEGAL NOTICE

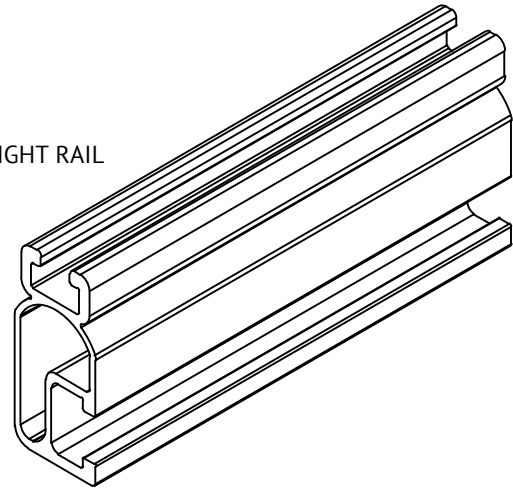
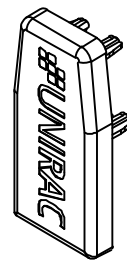
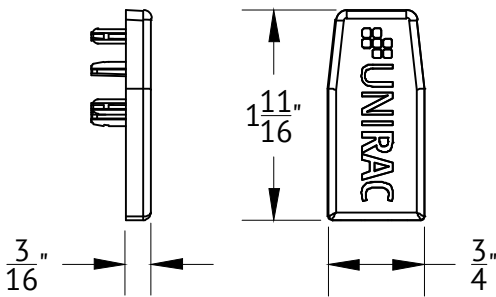
SM-P04

SHEET

SOLARMOUNT STANDARD RAIL



SOLARMOUNT LIGHT RAIL



1411 BROADWAY BLVD NE
ALBUQUERQUE, NM 87102 USA

WWW.UNIRAC.COM

PRODUCT LINE: SOLARMOUNT

DRAWING TYPE: PARTS DETAIL

DESCRIPTION: END CAPS

REVISION DATE: MAY 2016

DRAWING NOT TO SCALE
ALL DIMENSIONS ARE NOMINAL

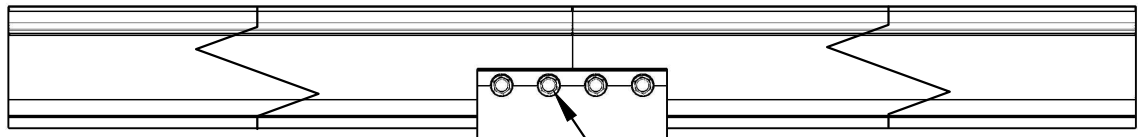
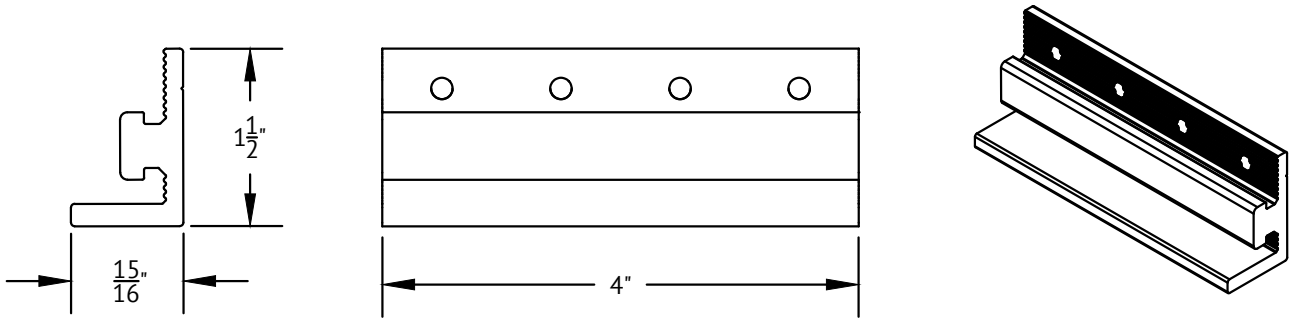
PRODUCT PROTECTED BY ONE
OR MORE US PATENTS

LEGAL NOTICE

SM-P05

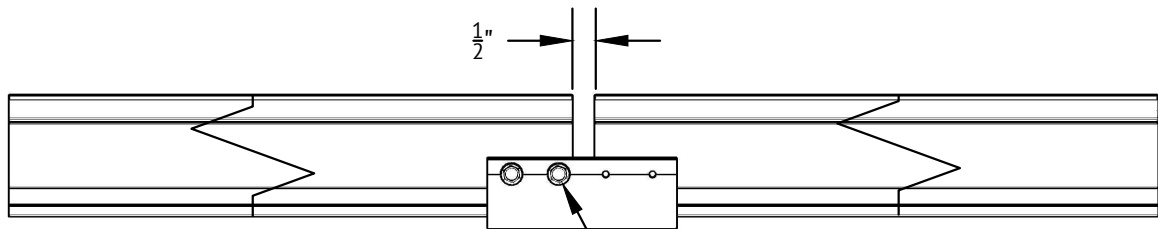
SHEET

BONDING SPLICE BAR



#12 X $\frac{3}{4}$ SELF DRILLING SS SCREWS INCLUDED

TYPICAL SPLICE BAR DETAIL



TYPICAL EXPANSION JOINT DETAIL

NOTE THAT ONLY 2 SCREWS ARE USED AT AN EXPANSION JOINT. THE SPLICE BAR DOES NOT BOND ACROSS AN EXPANSION JOINT.



1411 BROADWAY BLVD NE
ALBUQUERQUE, NM 87102 USA

WWW.UNIRAC.COM

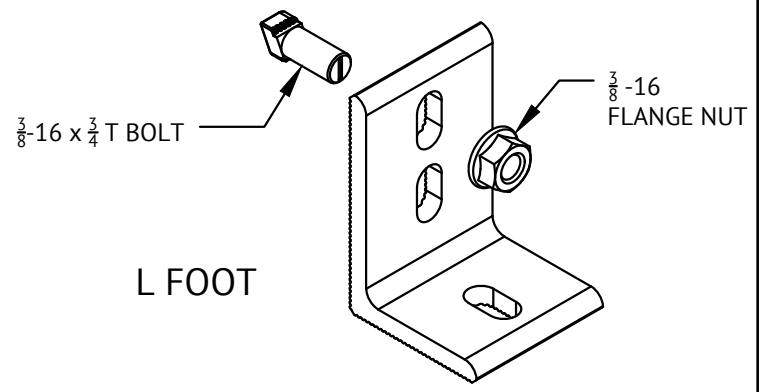
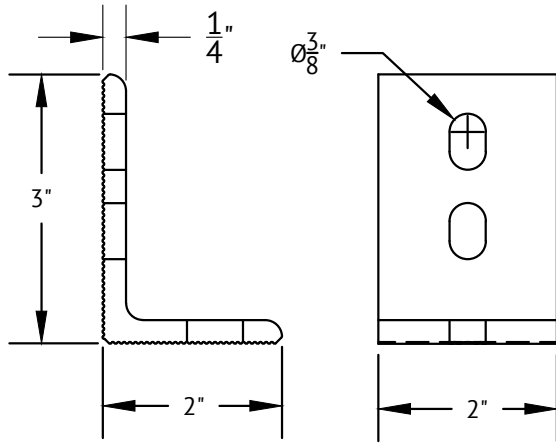
PRODUCT LINE:	SOLARMOUNT
DRAWING TYPE:	PART & ASSEMBLY
DESCRIPTION:	BONDING SPLICE BAR
REVISION DATE:	APRIL 2016

DRAWING NOT TO SCALE
ALL DIMENSIONS ARE NOMINAL

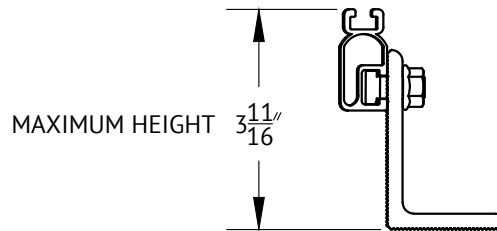
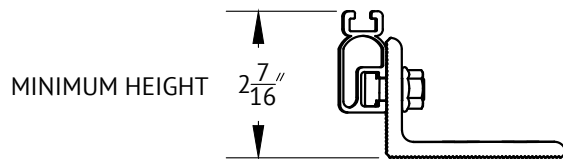
PRODUCT PROTECTED BY ONE OR MORE
US PATENTS

LEGAL NOTICE

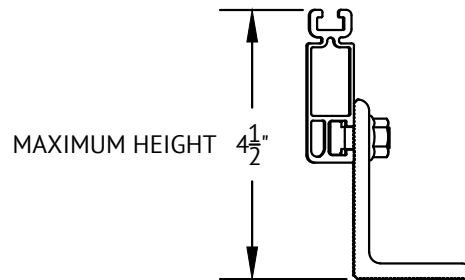
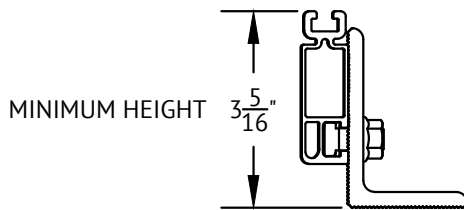
SM-A01
SHEET



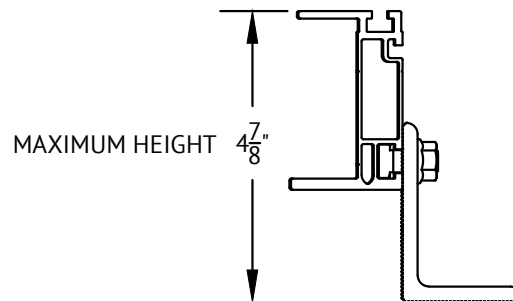
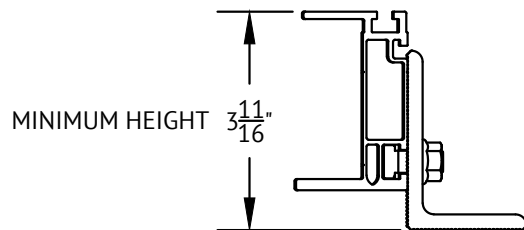
SOLARMOUNT LIGHT ON L-FOOT



SOLARMOUNT STANDARD ON L-FOOT



SOLARMOUNT HD ON L-FOOT



NOTE: L-FOOT CAN BE INSTALLED IN TWO ORIENTATIONS. PLEASE REFER TO INSTRUCTIONS IN THE QUICK START GUIDE.



1411 BROADWAY BLVD NE
ALBUQUERQUE, NM 87102 USA

WWW.UNIRAC.COM

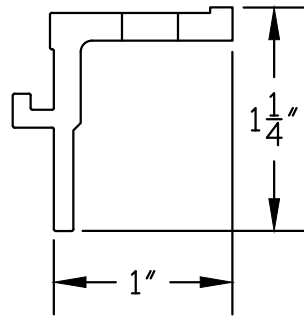
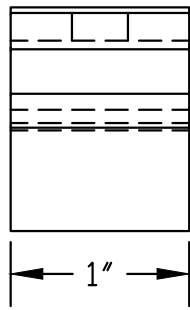
PRODUCT LINE:	SOLARMOUNT
DRAWING TYPE:	PART & ASSEMBLY
DESCRIPTION:	L-FOOT
REVISION DATE:	APRIL 2016

DRAWING NOT TO SCALE
ALL DIMENSIONS ARE NOMINAL

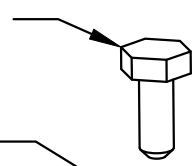
PRODUCT PROTECTED BY ONE OR MORE
US PATENTS

LEGAL NOTICE

SM-A02
SHEET



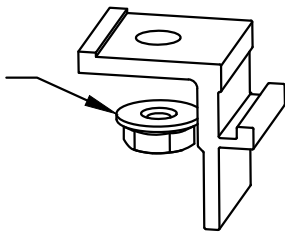
1/4-20 x 3/4 SS HEX HEAD BOLT



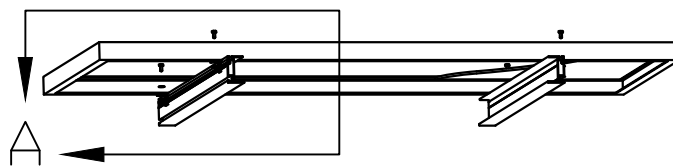
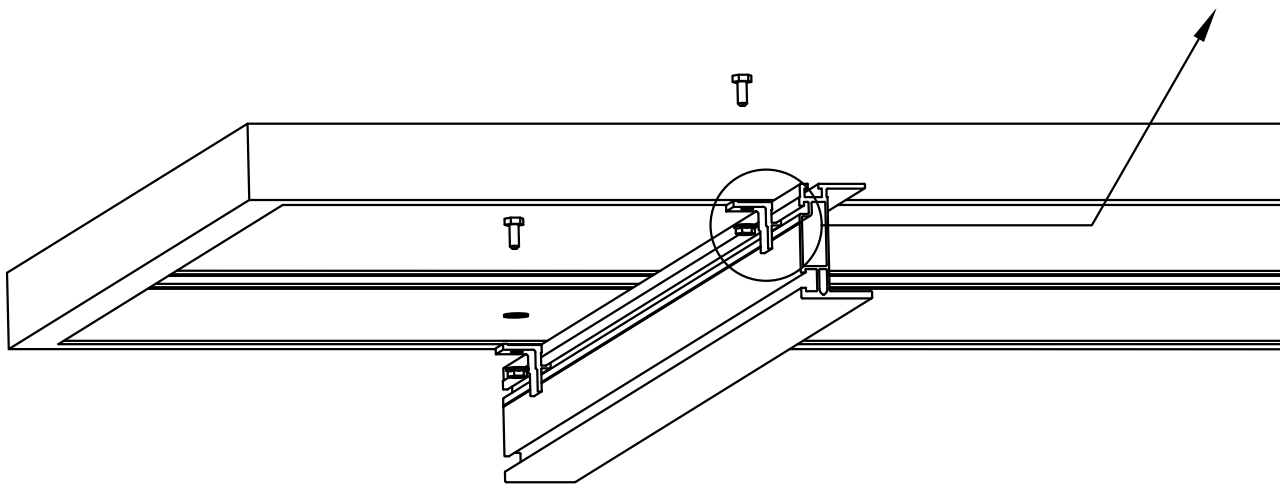
1/4" FLAT WASHER



1/4-20 SS FLANGE NUT



BOTTOM CLIP



UNIRAC

1411 BROADWAY BLVD NE
ALBUQUERQUE, NM 87102 USA

WWW.UNIRAC.COM

PRODUCT LINE:

SOLARMOUNT HD

DRAWING TYPE:

PART & ASSEMBLY

DESCRIPTION:

BOTTOM CLIP

REVISION DATE:

APRIL 2016

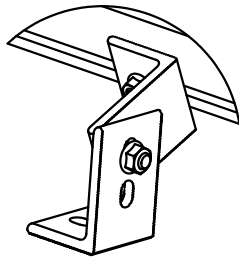
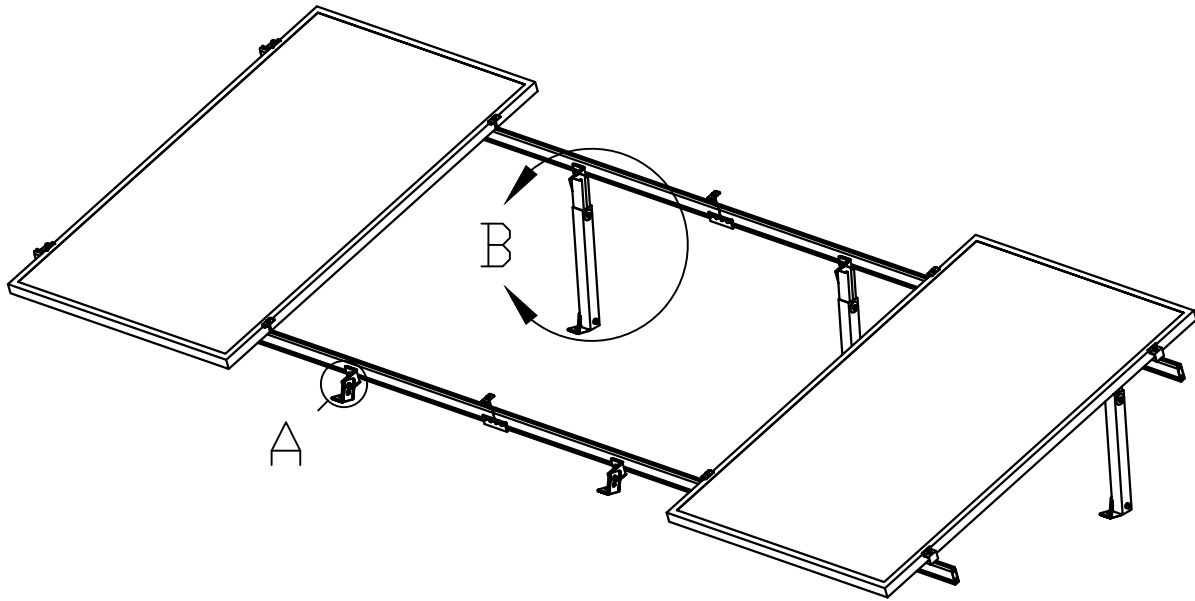
DRAWING NOT TO SCALE
ALL DIMENSIONS ARE NOMINAL

PRODUCT PROTECTED BY ONE OR MORE
US PATENTS

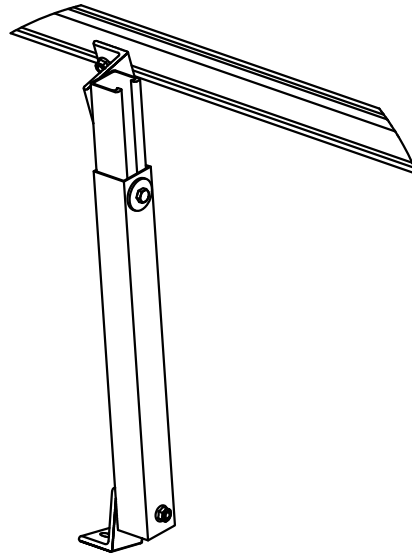
LEGAL NOTICE

SM-A03

SHEET



DETAIL A - FRONT L FOOT HINGE



DETAIL B - REAR TILT LEG



1411 BROADWAY BLVD NE
ALBUQUERQUE, NM 87102 USA

WWW.UNIRAC.COM

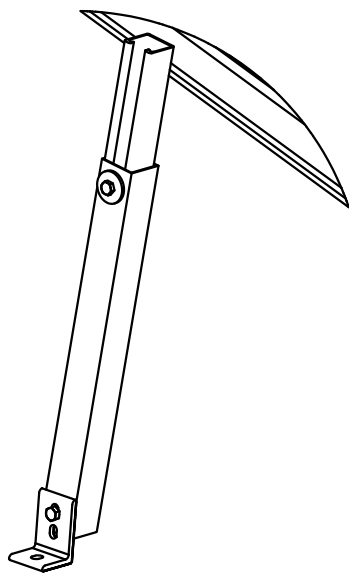
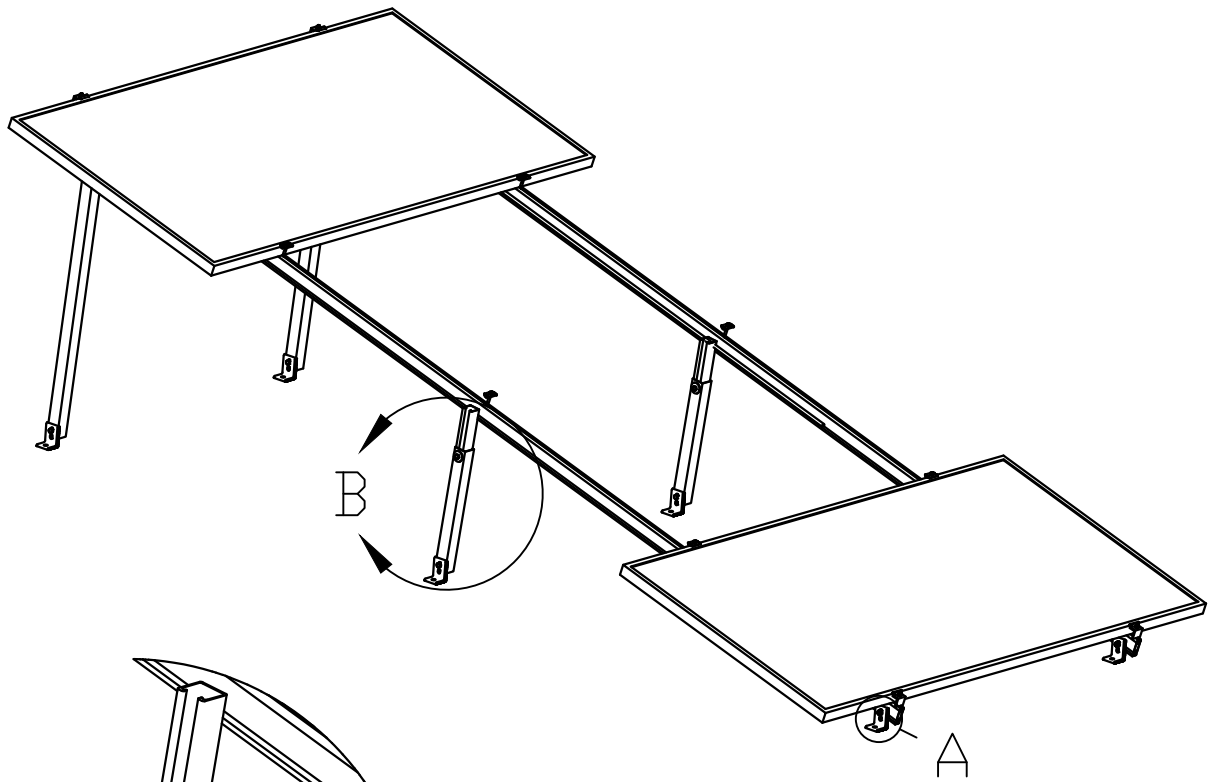
PRODUCT LINE:	SOLARMOUNT
DRAWING TYPE:	ASSEMBLY
DESCRIPTION:	LOW PROFILE TILT
REVISION DATE:	APRIL 2016

DRAWING NOT TO SCALE
ALL DIMENSIONS ARE NOMINAL

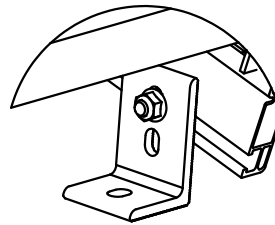
PRODUCT PROTECTED BY ONE
OR MORE US PATENTS

LEGAL NOTICE

SM-A04
SHEET



DETAIL B - REAR TILT LEG



DETAIL A - L FOOT



1411 BROADWAY BLVD NE
ALBUQUERQUE, NM 87102 USA

WWW.UNIRAC.COM

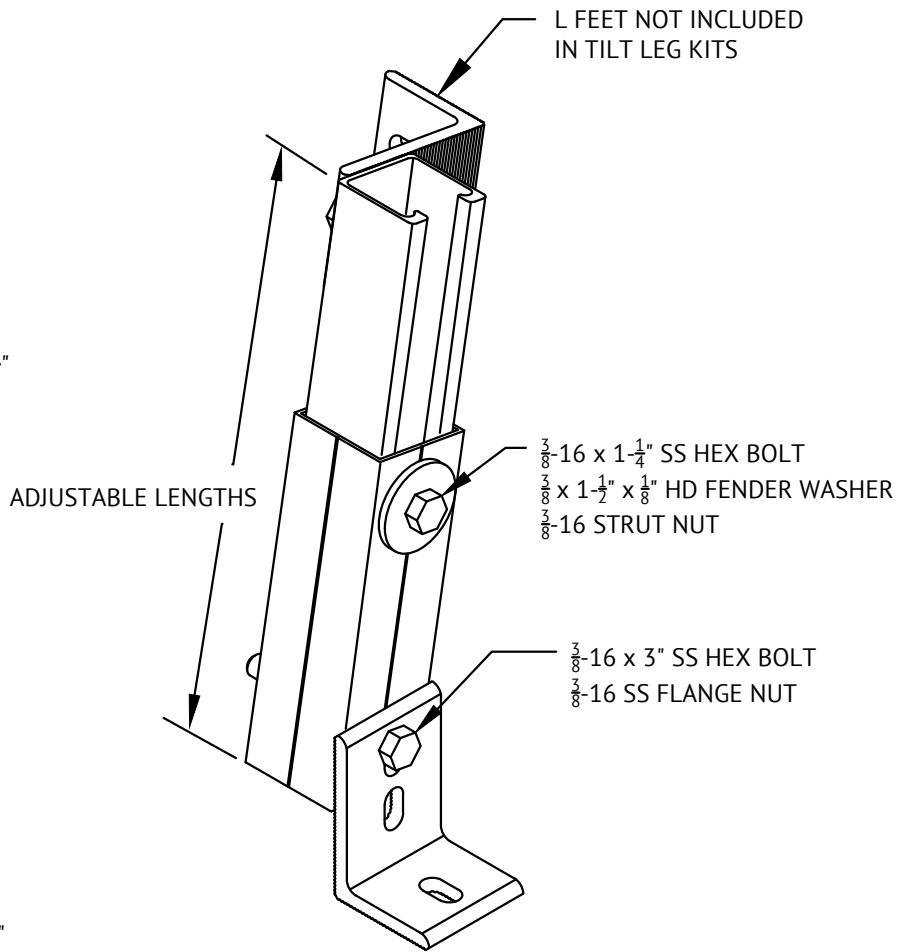
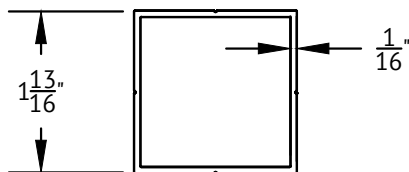
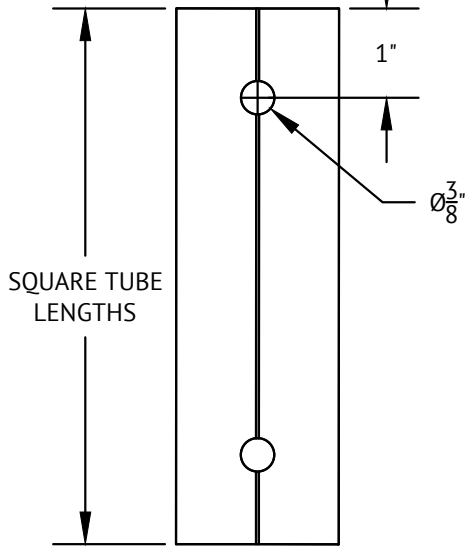
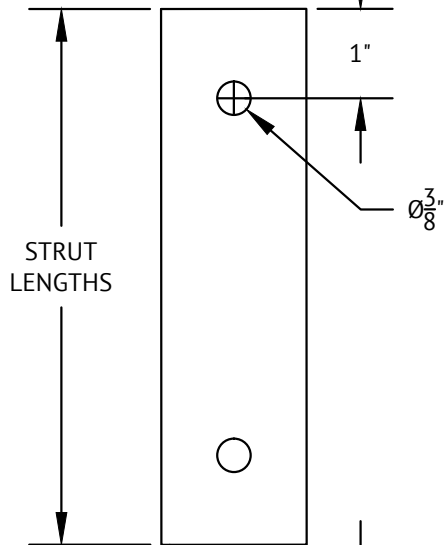
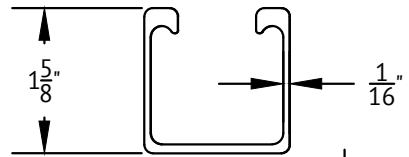
PRODUCT LINE:	SOLARMOUNT
DRAWING TYPE:	ASSEMBLY
DESCRIPTION:	HIGH PROFILE TILT
REVISION DATE:	APRIL 2016

DRAWING NOT TO SCALE
ALL DIMENSIONS ARE NOMINAL

PRODUCT PROTECTED BY ONE
OR MORE US PATENTS

LEGAL NOTICE

SM-A05
SHEET



TILT LEG LENGTHS		
TOTAL ADJUSTABLE LENGTHS	SQUARE TUBE	STRUT
8" to 12"	8"	8"
18" to 30"	18"	18"
26" to 44"	26"	26"
40" to 72"	40"	40"



1411 BROADWAY BLVD NE
ALBUQUERQUE, NM 87102 USA

WWW.UNIRAC.COM

PRODUCT LINE: SOLARMOUNT TILT

DRAWING TYPE: ASSEMBLY

DESCRIPTION: ADJUSTABLE TILT LEG

REVISION DATE: APRIL 2016

DRAWING NOT TO SCALE
ALL DIMENSIONS ARE NOMINAL

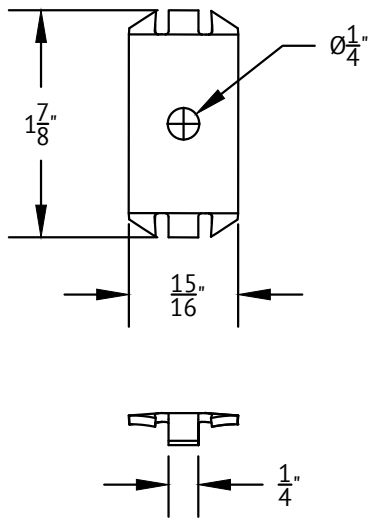
PRODUCT PROTECTED BY ONE
OR MORE US PATENTS

LEGAL NOTICE

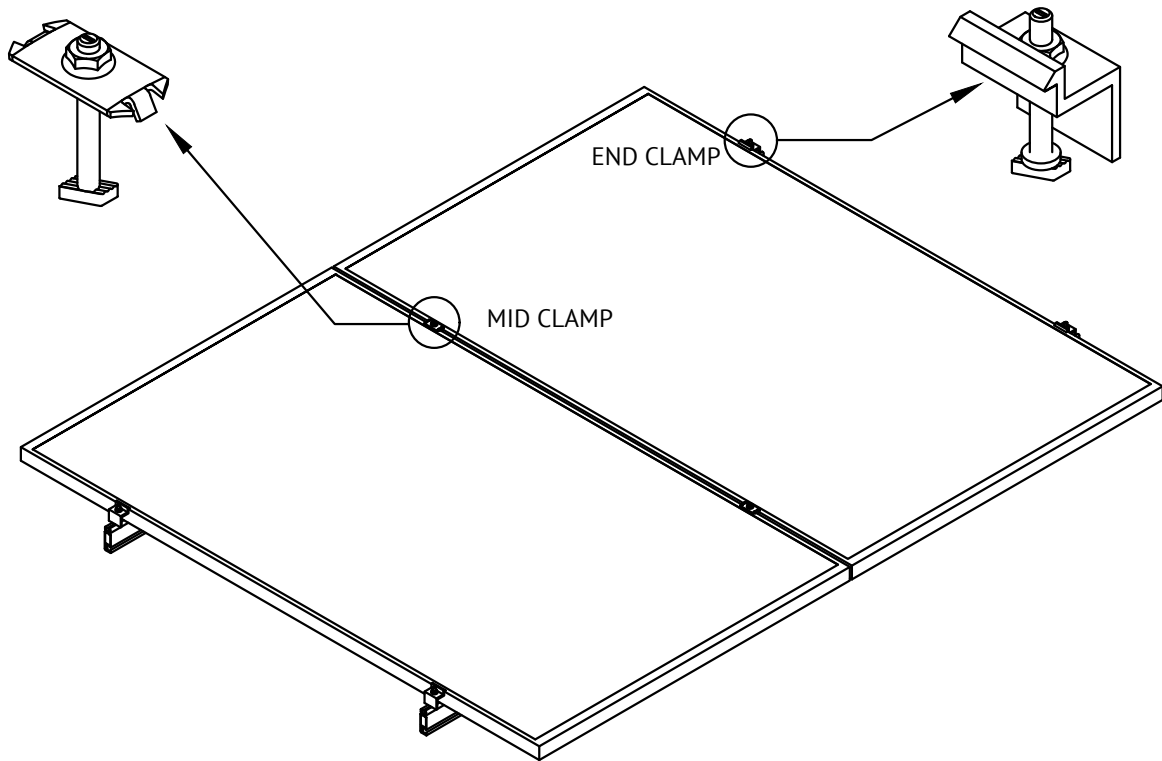
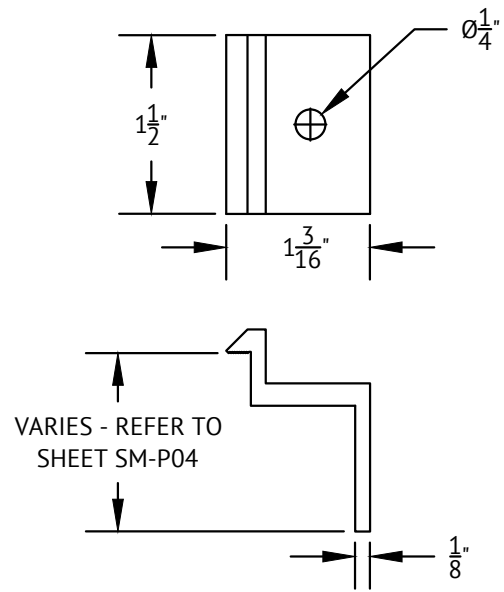
SM-A06

SHEET

BONDING SM MID CLAMP



BONDING SM END CLAMP



1411 BROADWAY BLVD NE
ALBUQUERQUE, NM 87102 USA

WWW.UNIRAC.COM

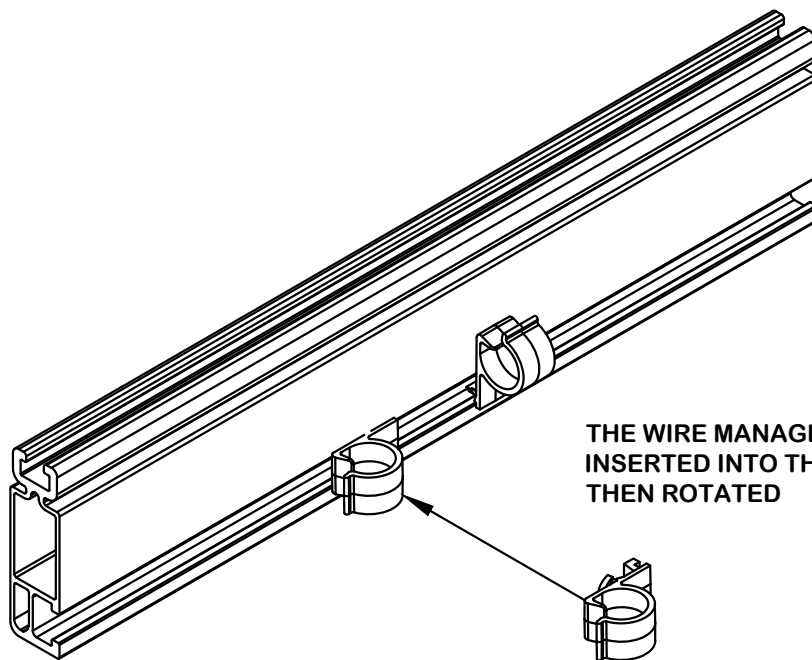
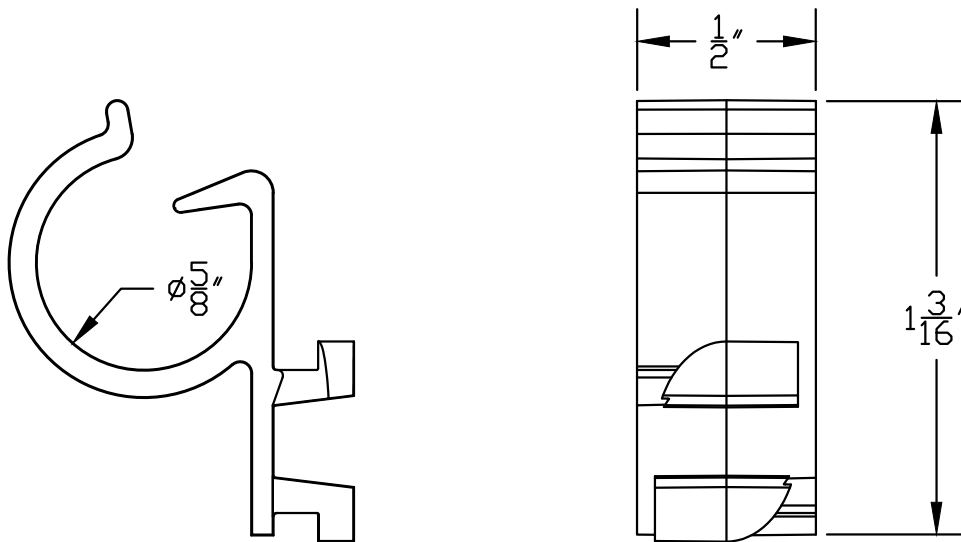
PRODUCT LINE:	SOLARMOUNT
DRAWING TYPE:	PART & ASSEMBLY
DESCRIPTION:	BONDING TOP CLAMPS
REVISION DATE:	APRIL 2016

DRAWING NOT TO SCALE
ALL DIMENSIONS ARE NOMINAL

PRODUCT PROTECTED BY ONE
OR MORE US PATENTS

LEGAL NOTICE

SM-A07
SHEET



THE WIRE MANAGEMENT CLIP IS
INSERTED INTO THE SIDE SLOT
THEN ROTATED



1411 BROADWAY BLVD NE
ALBUQUERQUE, NM 87102 USA

WWW.UNIRAC.COM

PRODUCT LINE:	SOLARMOUNT
DRAWING TYPE:	ASSEMBLY
DESCRIPTION:	SM WIRE MGMT CLIP
REVISION DATE:	APRIL 2016

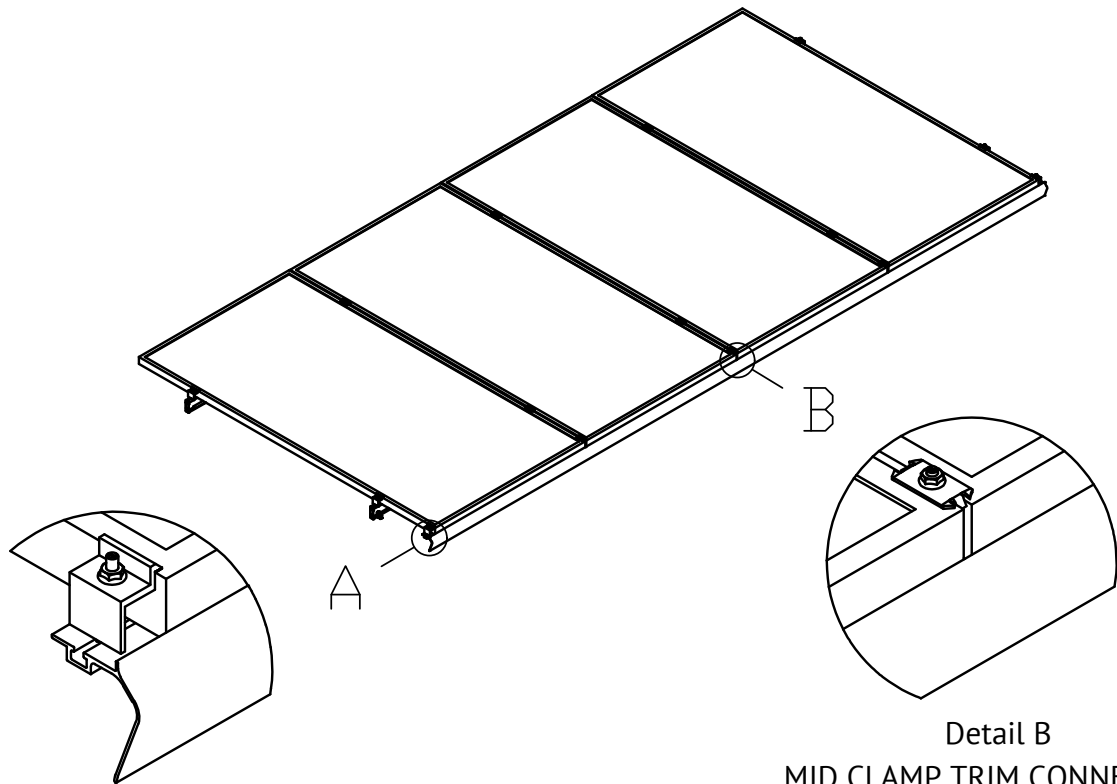
DRAWING NOT TO SCALE
ALL DIMENSIONS ARE NOMINAL

PRODUCT PROTECTED BY ONE
OR MORE US PATENTS

LEGAL NOTICE

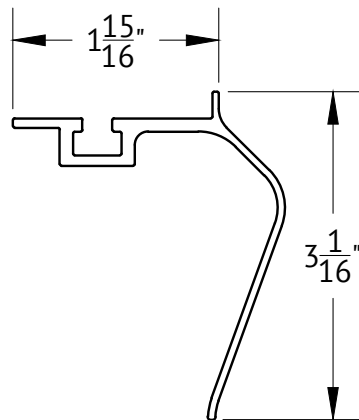
SM-A08

SHEET



Detail A
END CLAMP TRIM CONNECTION

Detail B
MID CLAMP TRIM CONNECTION



1411 BROADWAY BLVD NE
ALBUQUERQUE, NM 87102 USA

WWW.UNIRAC.COM

PRODUCT LINE:	SOLARMOUNT
DRAWING TYPE:	ASSEMBLY
DESCRIPTION:	SM TRIM
REVISION DATE:	May 2016

DRAWING NOT TO SCALE
ALL DIMENSIONS ARE NOMINAL

PRODUCT PROTECTED BY ONE
OR MORE US PATENTS

LEGAL NOTICE

SM-A09
SHEET